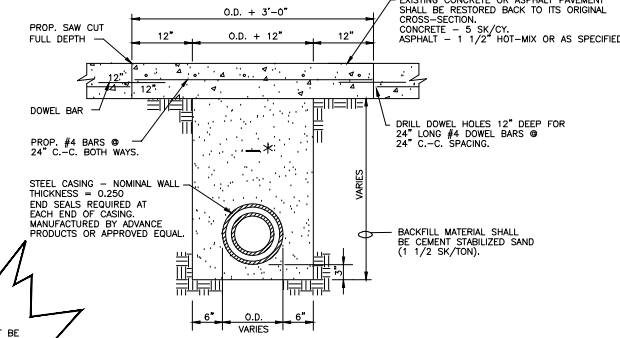
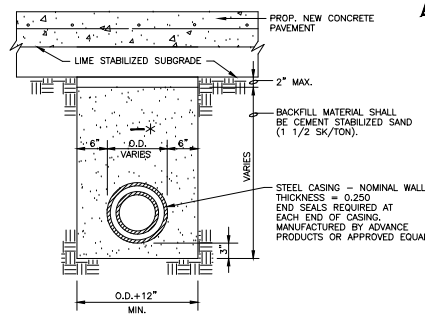


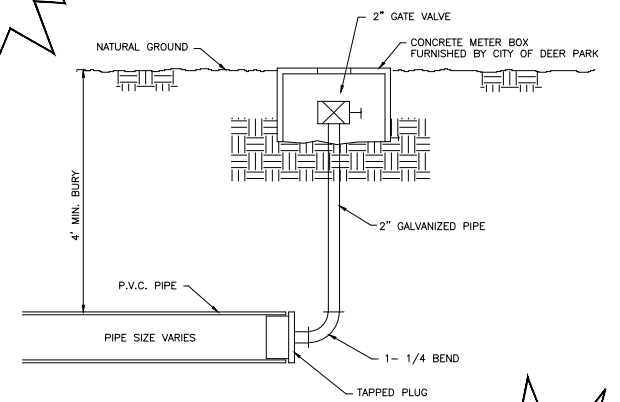
TYPICAL TRENCH DETAIL  
SCALE: NONE



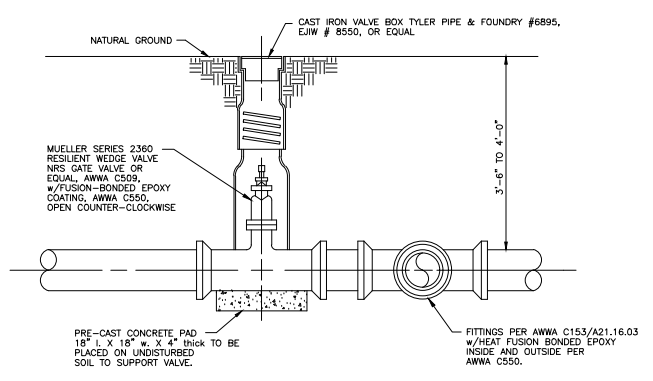
CONCRETE OR ASPHALT PVM T ROADWAY TRENCH  
SCALE: NONE



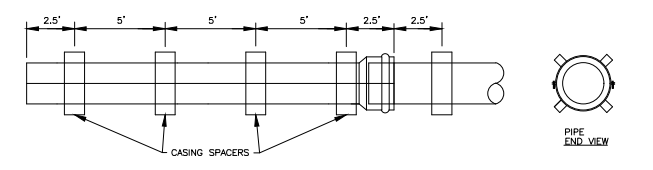
TYPICAL TRENCH DETAIL FOR NEW SUBDIVISION  
SCALE: NONE



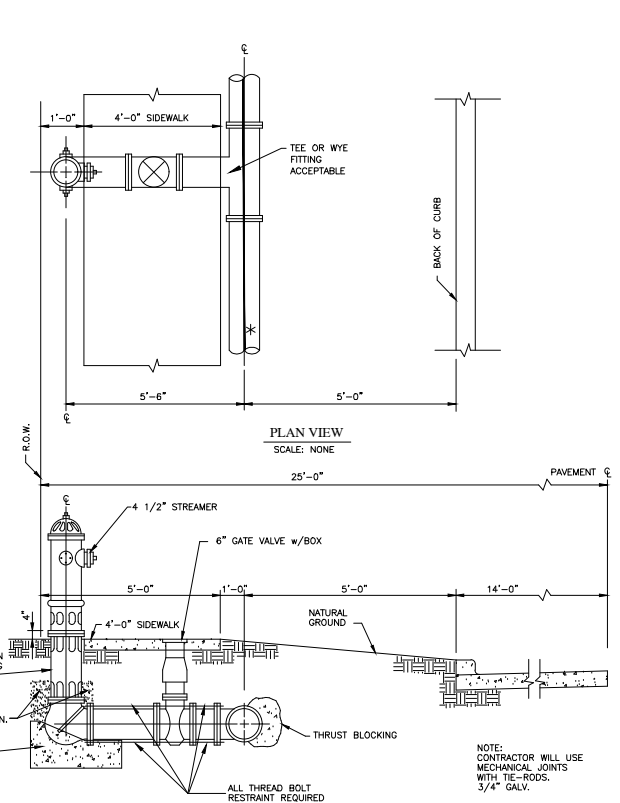
BLOW-OFF VALVE DETAIL  
SCALE: NONE



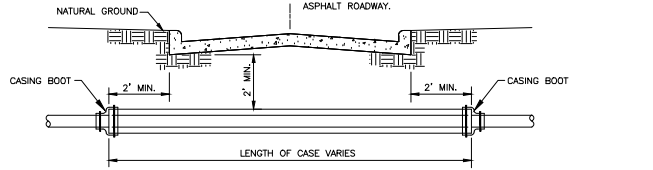
VALVE SETTING  
SCALE: NONE



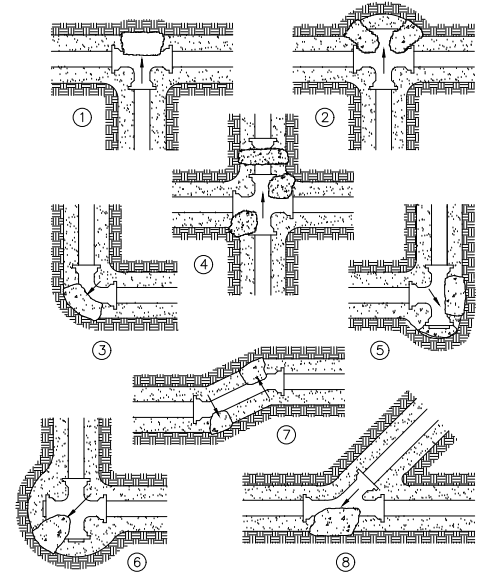
MANUFACTURED CASING SPACERS DETAIL  
SCALE: NONE



FIRE HYDRANT DETAIL FOR 50' R.O.W.  
SCALE: NONE



TYPICAL BORE AND CASE FOR CURB AND GUTTER  
SCALE: NONE

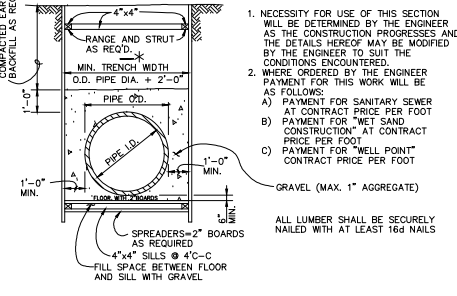


- THRU LINE CONNECTION, TEE
- THRU LINE CONNECTION, CROSS USED AS TEE
- DIRECTION CHANGE, ELBOW
- CROSS AND REDUCER
- DIRECTION CHANGE, TEE USED AS ELBOW
- DIRECTION CHANGE, CROSS USED AS ELBOW
- DIRECTION CHANGE, CROSS USED AS ELBOW
- DIRECTION CHANGE, WYE
- VALVE ANCHOR
- DIRECTION CHANGE VERTICAL BEND ANCHOR

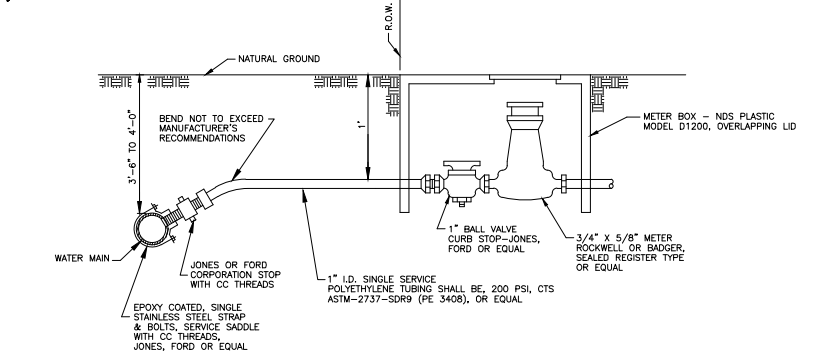
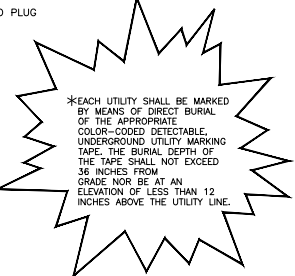
THRUST BLOCKING DETAIL  
SCALE: NONE

PIPE SIZE	6"	8"	10"	12"
90° BEND	1 CU. FT.	2 CU. FT.	3 CU. FT.	4 CU. FT.
45° BEND	1 CU. FT.	1 CU. FT.	2 CU. FT.	3 CU. FT.
22 1/2°	1 CU. FT.	1 CU. FT.	1 CU. FT.	1 CU. FT.
11 1/4°	1 CU. FT.	1 CU. FT.	1 CU. FT.	1 CU. FT.

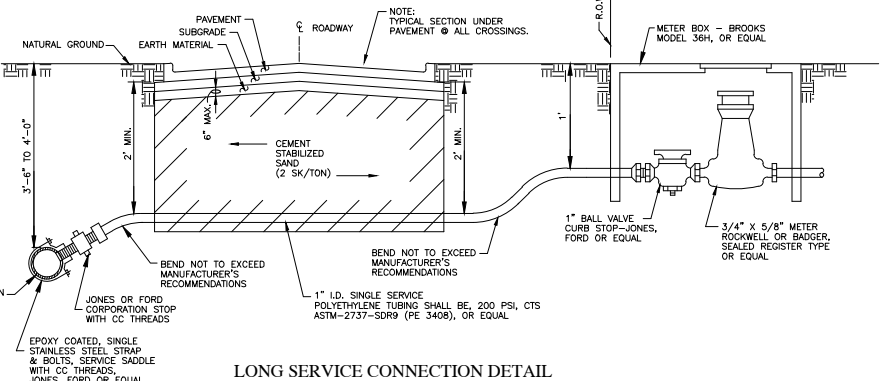
- NOTES:
- RESTRAINS OR THRUST BLOCKING SHALL BE INSTALLED ON ALL SIZES OF CITY WATER MAINS.
  - THRUST BLOCKING SHALL BE INSTALLED ON WATER MAIN LINES OF 6" DIA. & LARGER IN THE MANNER SHOWN AND WITH THE REQUIRED SIZE OF CONCRETE THRUST BLOCKING - SEE TABLE ABOVE.
  - ALL BENDS, TEES, WYES, OR CROSSES SHALL HAVE THRUST BLOCKING, GALVANIZED ALL-THREAD RODS WITH CLAMPS. ALSO, OTHER RESTRAINT SYSTEMS MAY BE ALLOWED WITH THE APPROVAL OF THE CITY ENGINEER.



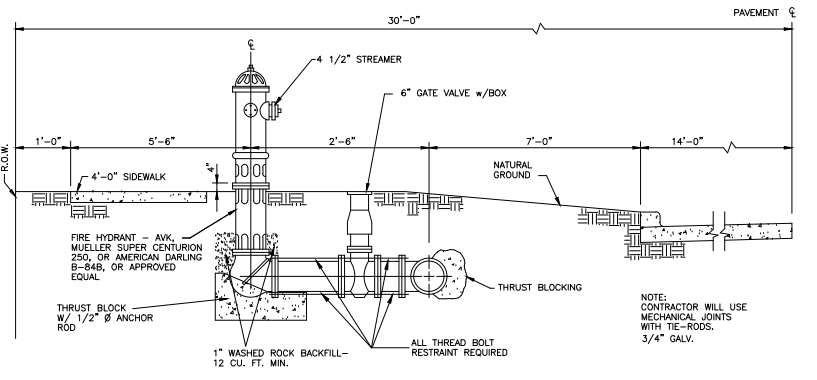
WET SAND CONSTRUCTION DETAIL  
SCALE: NONE



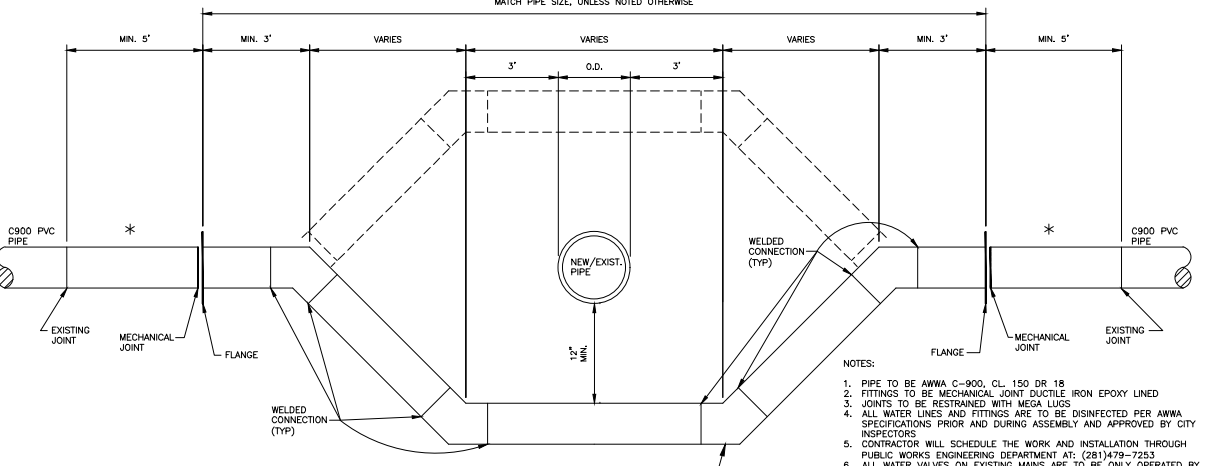
SHORT SERVICE CONNECTION DETAIL  
SCALE: NONE



LONG SERVICE CONNECTION DETAIL  
SCALE: NONE



FIRE HYDRANT DETAIL FOR 60' R.O.W.  
SCALE: NONE



WATER MAIN LOWERING  
SCALE: NONE


GENERAL NOTES:

- FIRE HYDRANTS SHALL BE PAINTED WITH INDUSTRIAL ENAMEL:  
A. BODY : MELLOT (COLOR# PRG13-04) PRODUCT 7-817/01  
B. BONNET : GOLD CREST SW 6670 (COLOR#99610200003231) PRODUCT 7-817/05
- FIRE HYDRANTS SHALL BE "OPEN LEFT".

REVISIONS		NO.	DATE	DESCRIPTION
1	3/22			ADDED WATER MAIN LOWERING DETAIL & WARNING TAP NOTE
2	9/23			ADDED WATER TAP NOTE
3				
4				
5				
6				

DATE	PROJECT NO.	DRAWN BY: STAFF	CHECKED BY:	SCALE: NOT TO SCALE	CAD FILE NO.
APRIL 2022					

CITY OF DEER PARK  
STANDARD WATER LINE DETAILS



SHEET  
OF