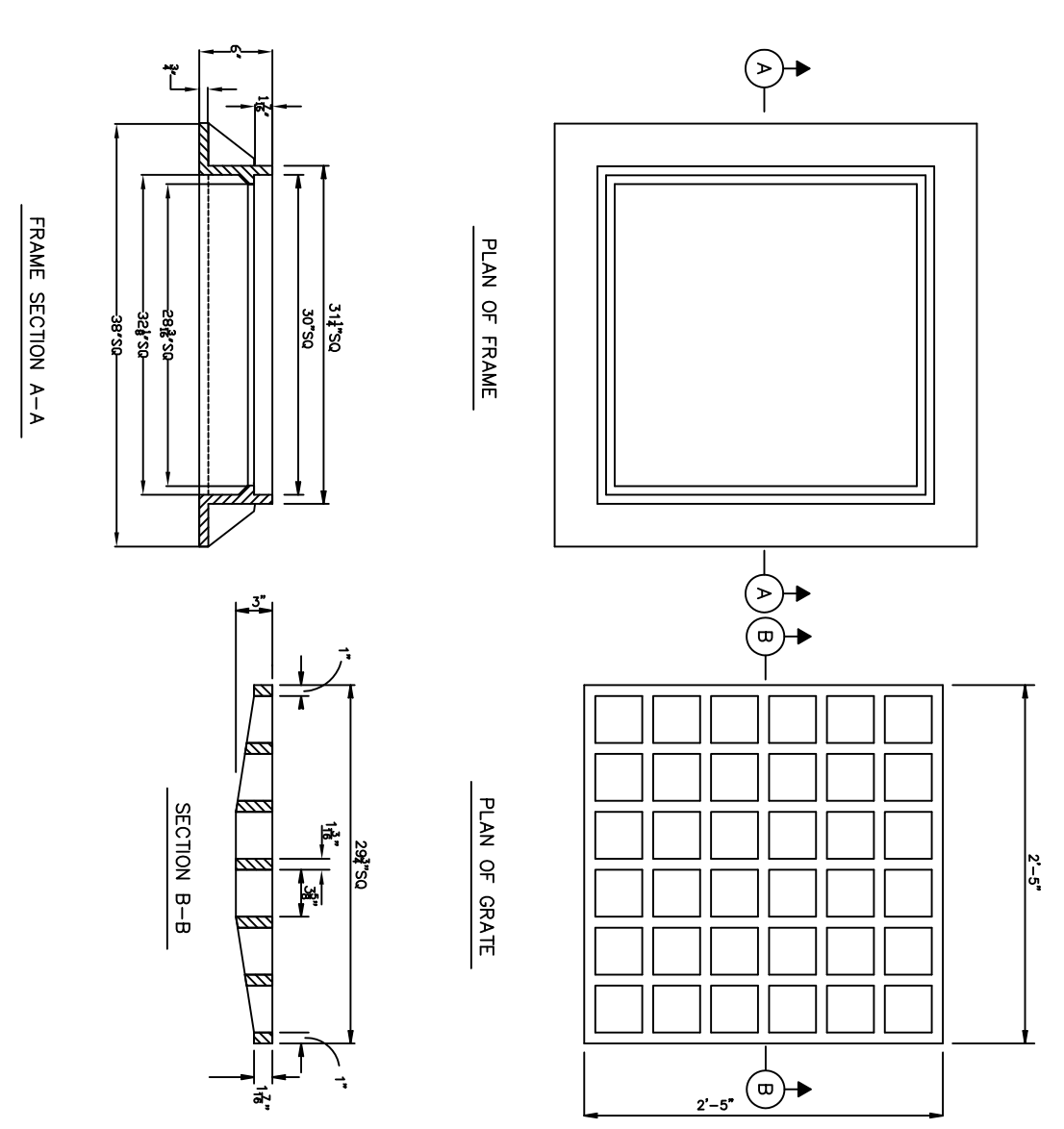


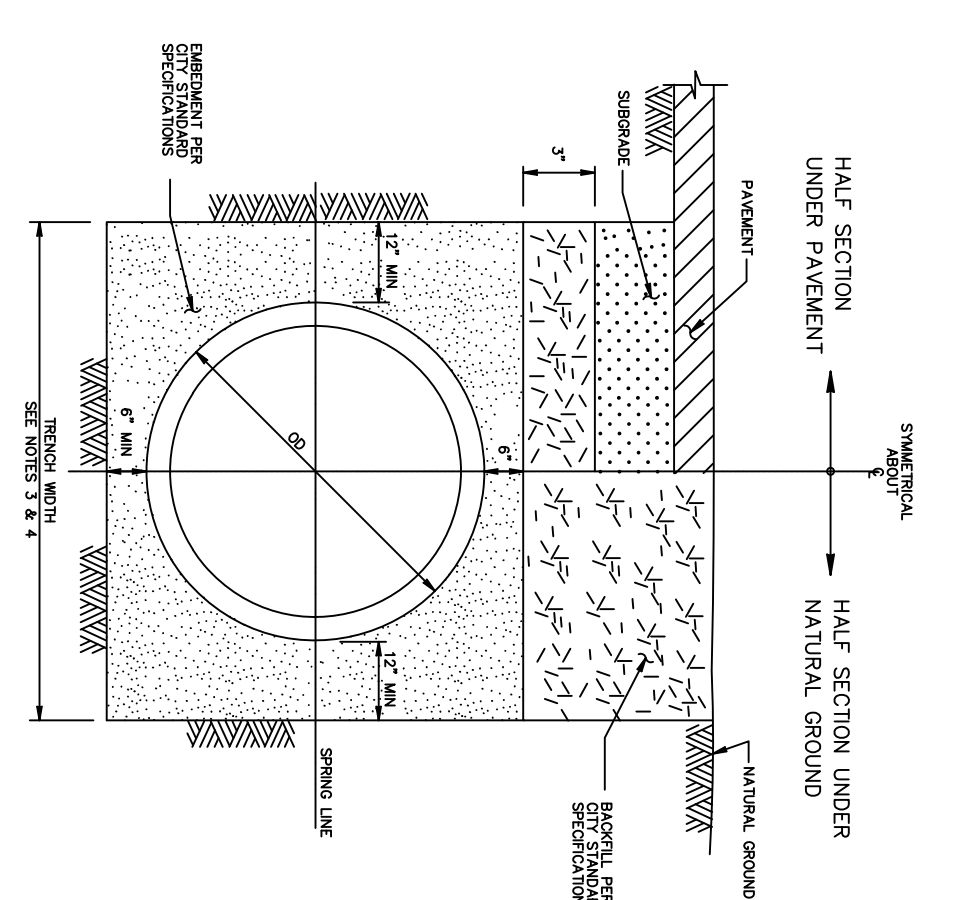
NO.	DATE	DESCRIPTION	BY
1			
2			
3			
4			
5			
6			
7			

DATE: 10/01/05
 PROJECT NO.:
 DRAWN BY: NOLAND
 CHECKED BY:
 SCALE: AS SHOWN
 CAD FILE: STORM - 2

CITY OF DEER PARK
 STORM SEWER DETAIL #1
 MODIFIED

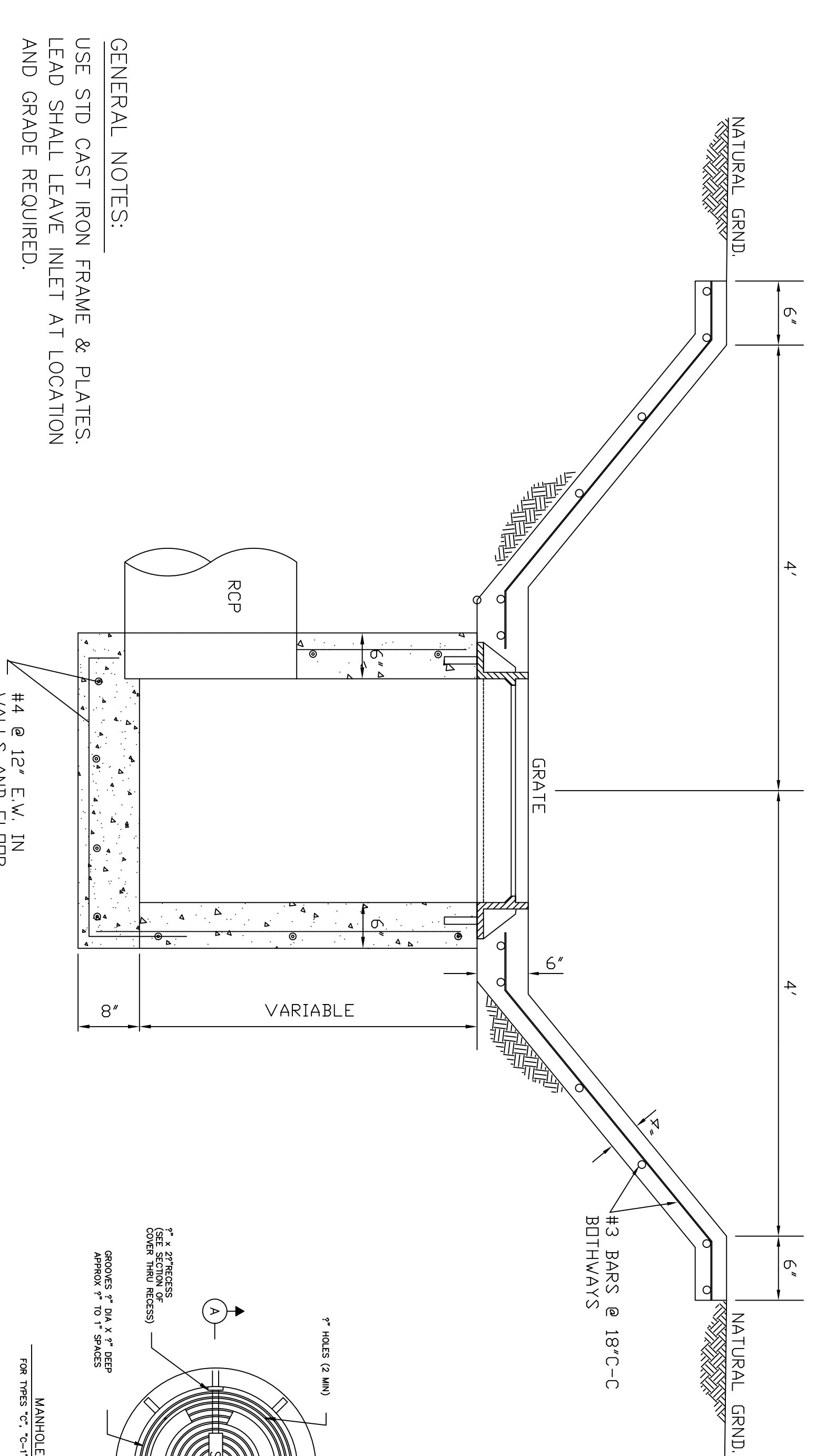


STORM SEWER TYPE "A" INLET
 GRATE & FRAME
 (NOT TO SCALE)



BEDDING AND BACKFILL
 (NOT TO SCALE)

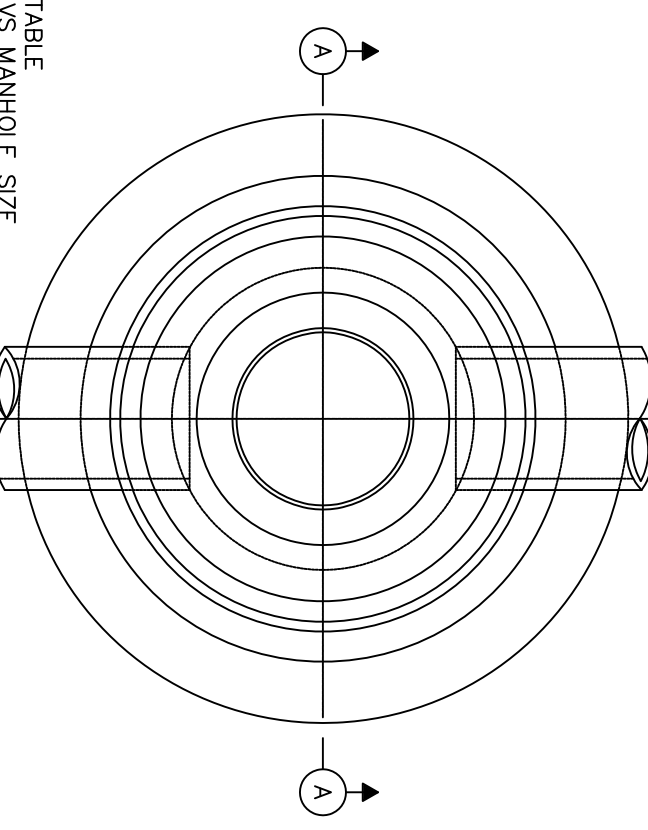
- NOTES:
- WHERE SOIL CONDITIONS REQUIRE, THE ENGINEER MAY ORDER USE OF CEMENT STABILIZED SAND BEDDING, REINFORCED CONCRETE PIPE SEWERS APPROVED SPECIAL DESIGN AS SHOWN ON DRAWINGS.
 - MIN TRENCH WIDTH SHALL BE PIPE NOMINAL PIPE SIZE.
 - MAX TRENCH WIDTH SHALL NOT BE GREATER THAN MIN TRENCH WIDTH NOTED.
 - SELECT BACKFILL FOR ROAD PAVEMENT, FLEXIBLE BASE MATERIAL FOR ASPHALT PAVEMENT.



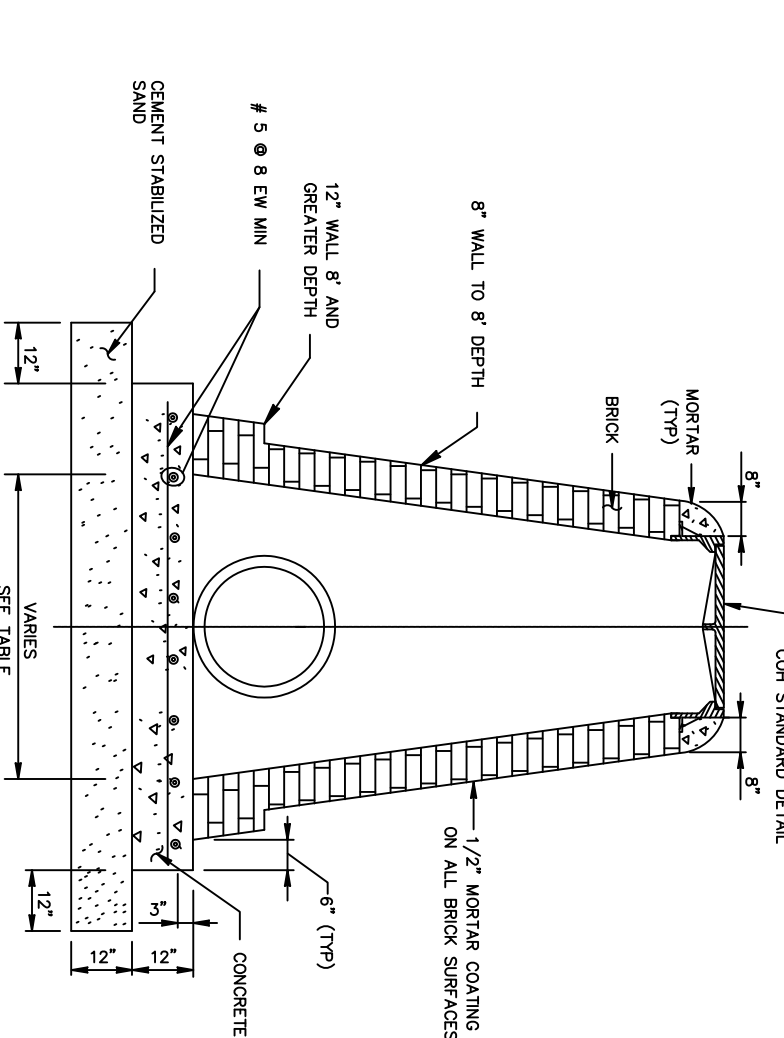
GENERAL NOTES:
 USE STD CAST IRON FRAME & PLATES;
 LEAD SHALL LEAVE INLET AT LOCATION
 AND GRADE REQUIRED.

- NOTES:
- DIMENSION VARIES BASED ON PIPE DIAMETER AND WALL THICKNESS.
 - CENTER REINFORCING IN SLAB AND WALLS.

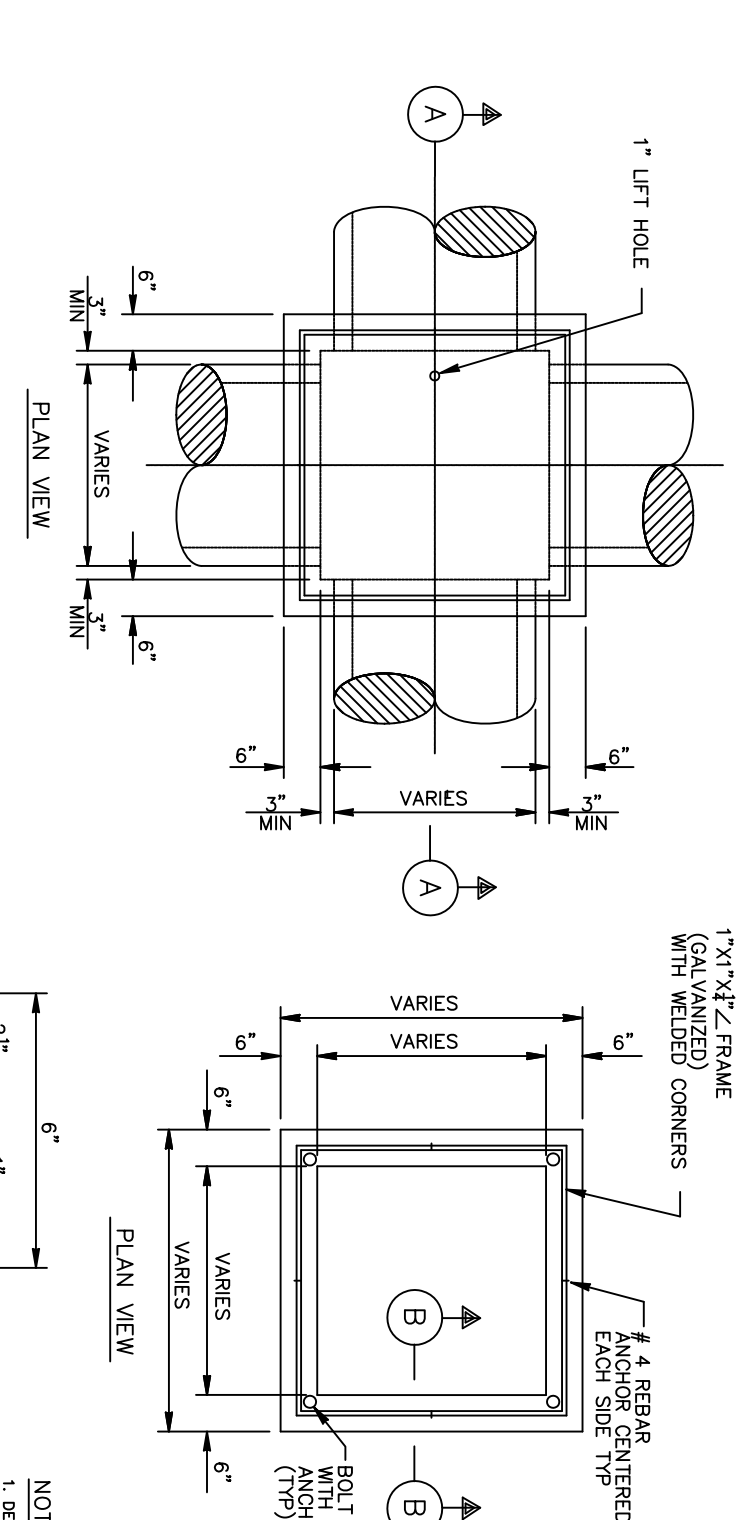
1
 6
 "A" INLET
 PRECAST, POUR IN PLACE
 DR BRICK (BRICK WALLS 8")



MANHOLE TYPE "C"
 (NOT TO SCALE)

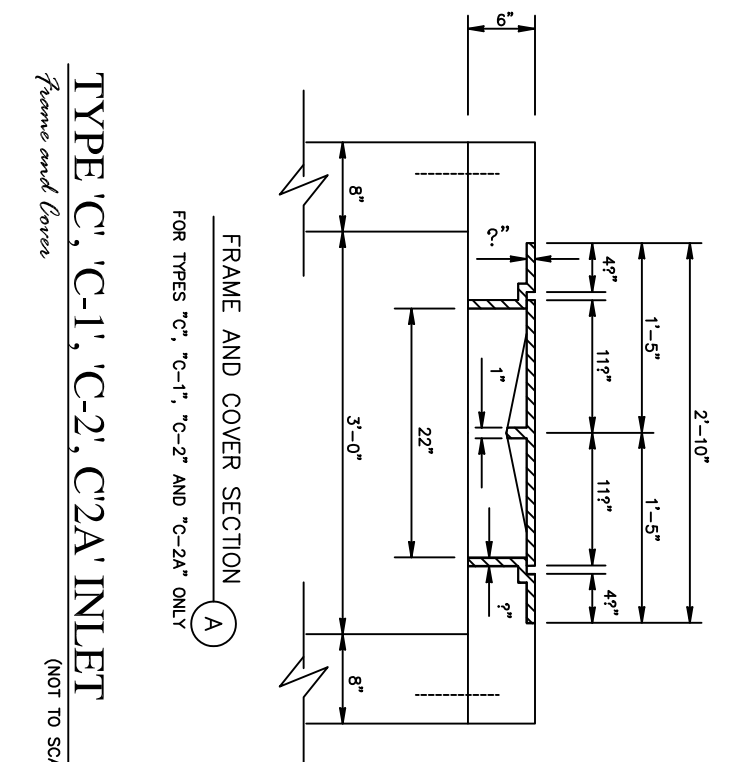
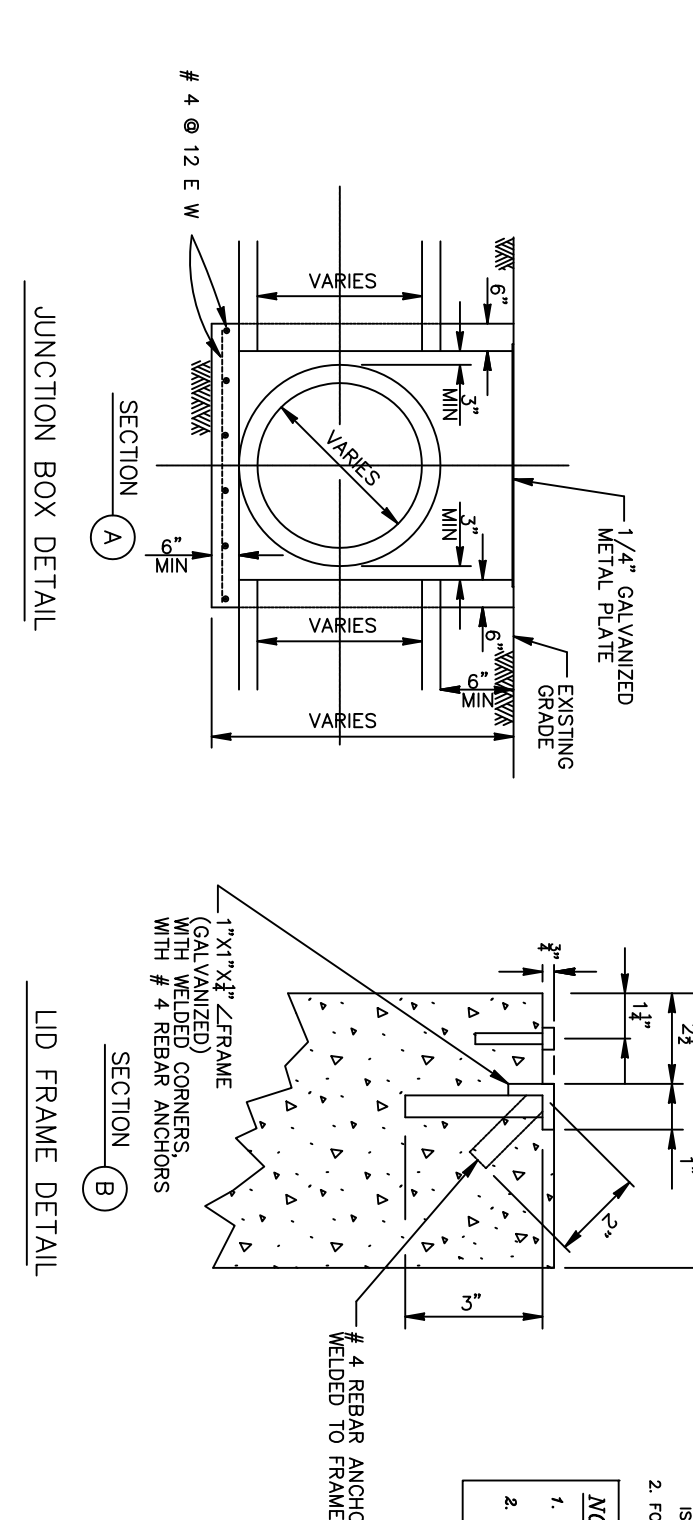


MANHOLE TYPE "C"
 (NOT TO SCALE)

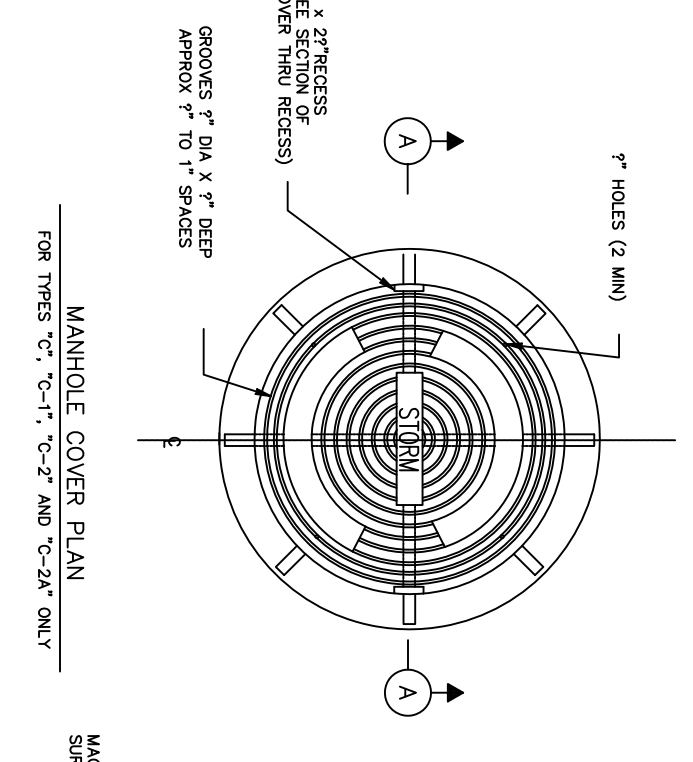


- NOTES:
- 18" TO 24" DIA. WHERE STORM SEWER SIZE 18" TO 24" DIA. USE TYPE "C" MANHOLE.
 - FOR SEWER DIAMETER 30" DIA. USE TYPE "C" MANHOLE.

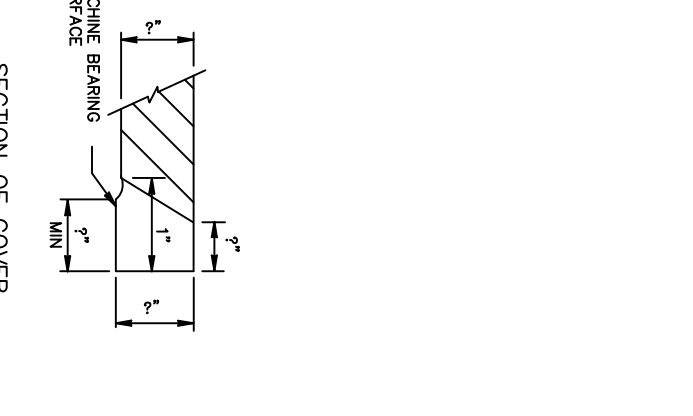
JUNCTION BOX WITH LID
 (NOT TO SCALE)



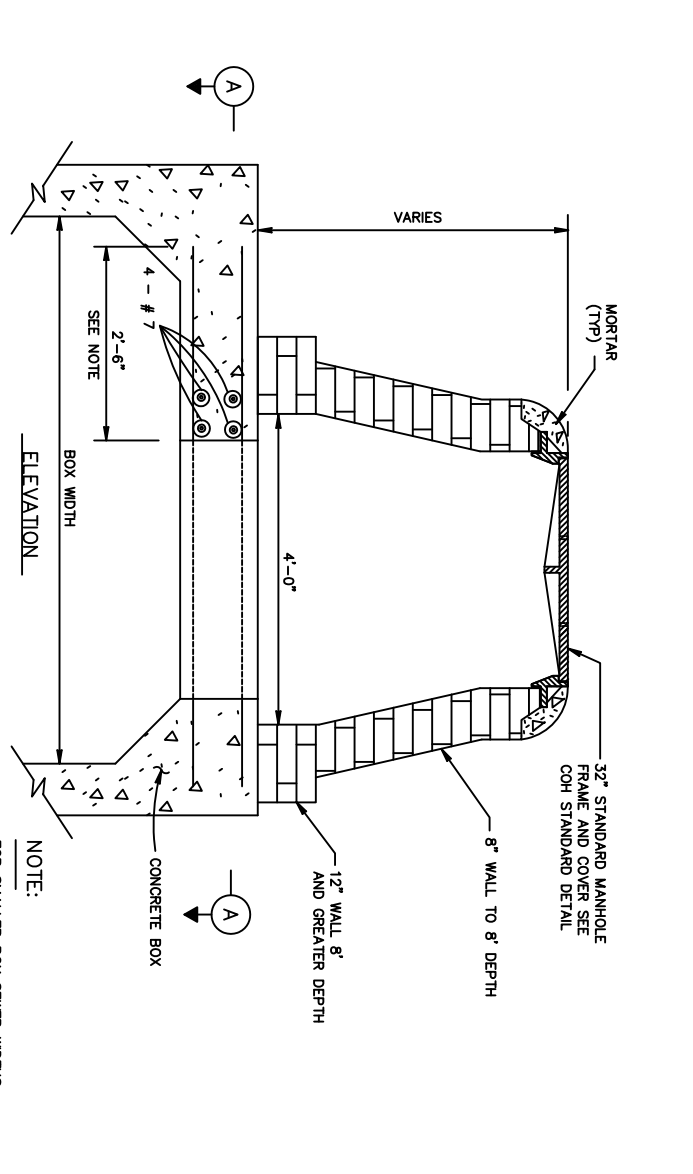
TYPE "C" C-1, C-2, C-2A INLET
 (NOT TO SCALE)



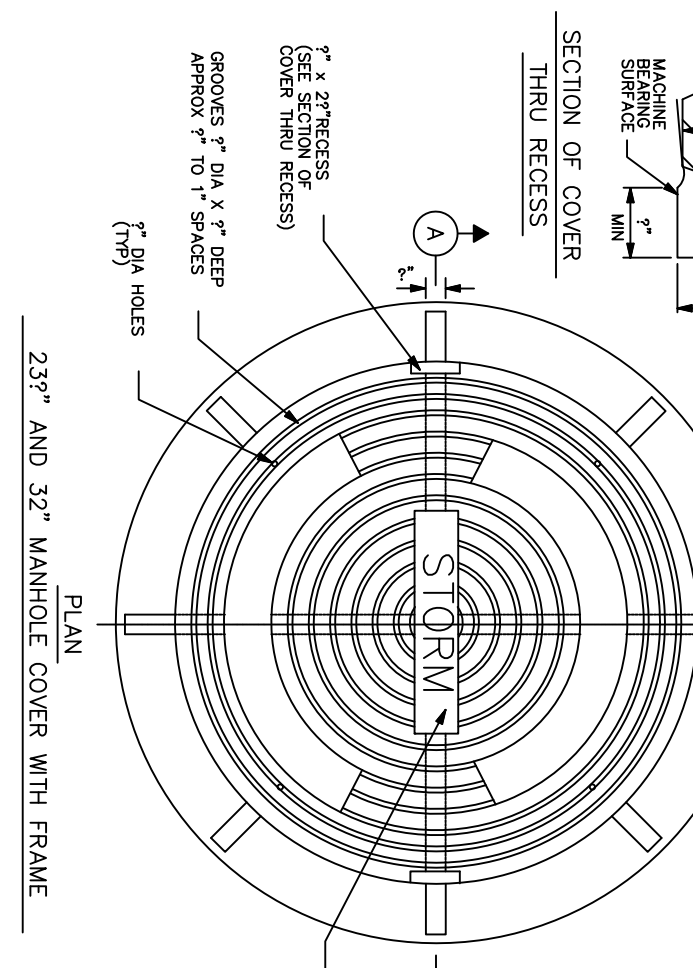
MANHOLE COVER PLAN
 (NOT TO SCALE)



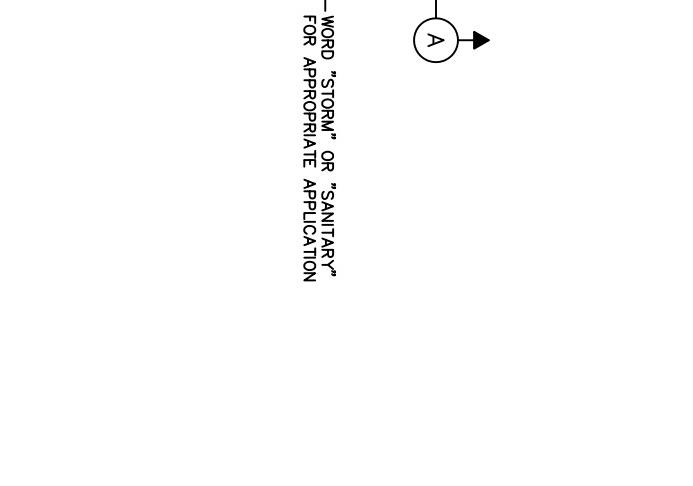
SECTION OF COVER
 THRU RECESS



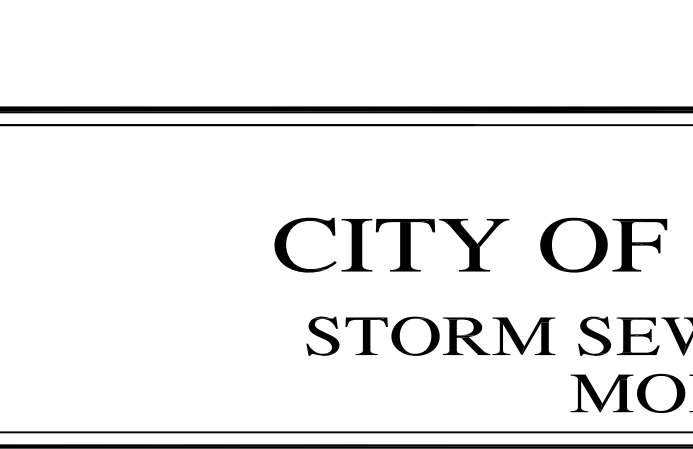
STORM SEWER MANHOLE
 (NOT TO SCALE)



MANHOLE COVER WITH FRAME
 (NOT TO SCALE)



SECTION OF COVER WITH FRAME
 (NOT TO SCALE)



MANHOLE COVER WITH FRAME
 (NOT TO SCALE)