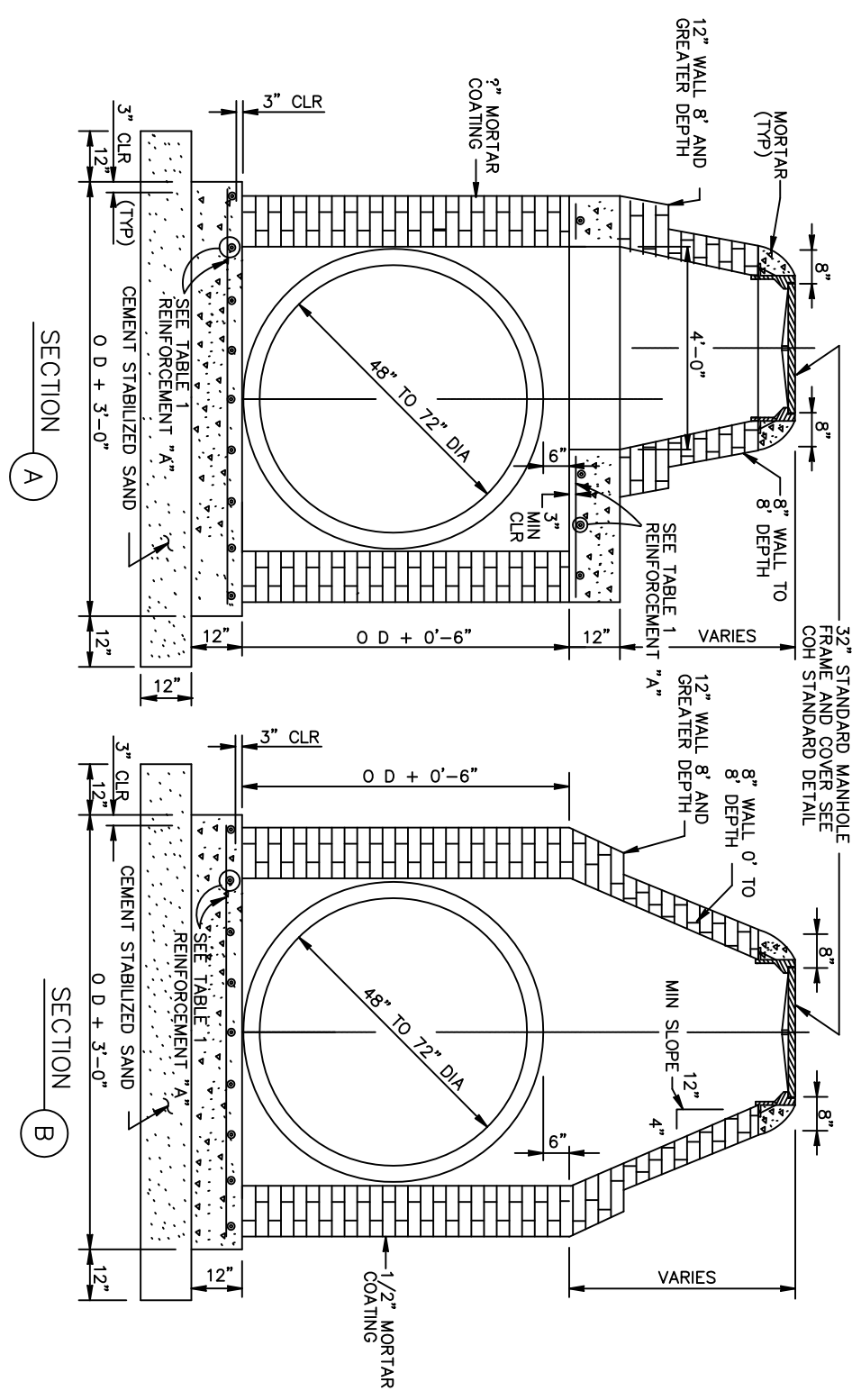
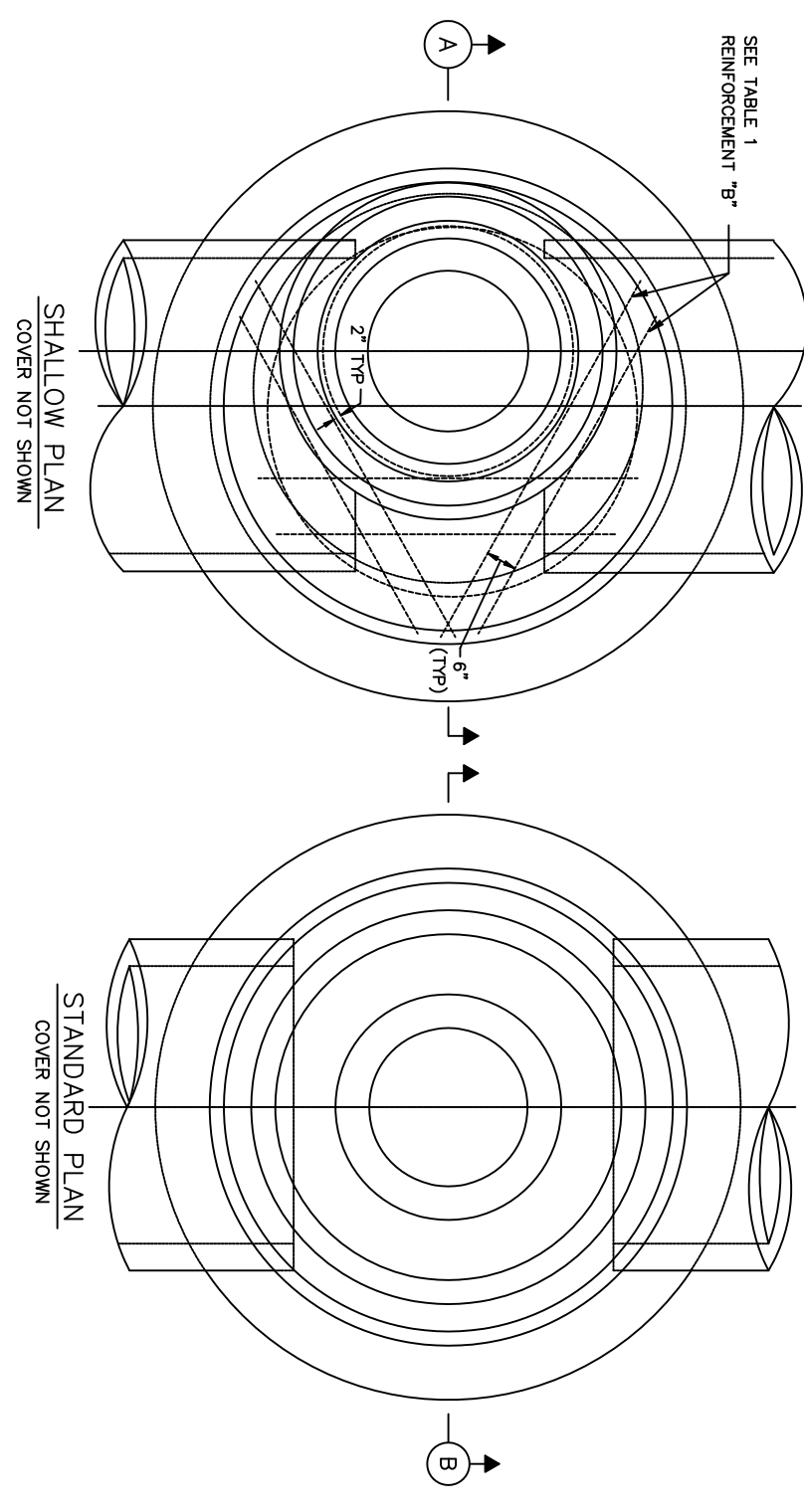


STORM SEWER PIPE BACKFILL
(NOT TO SCALE)

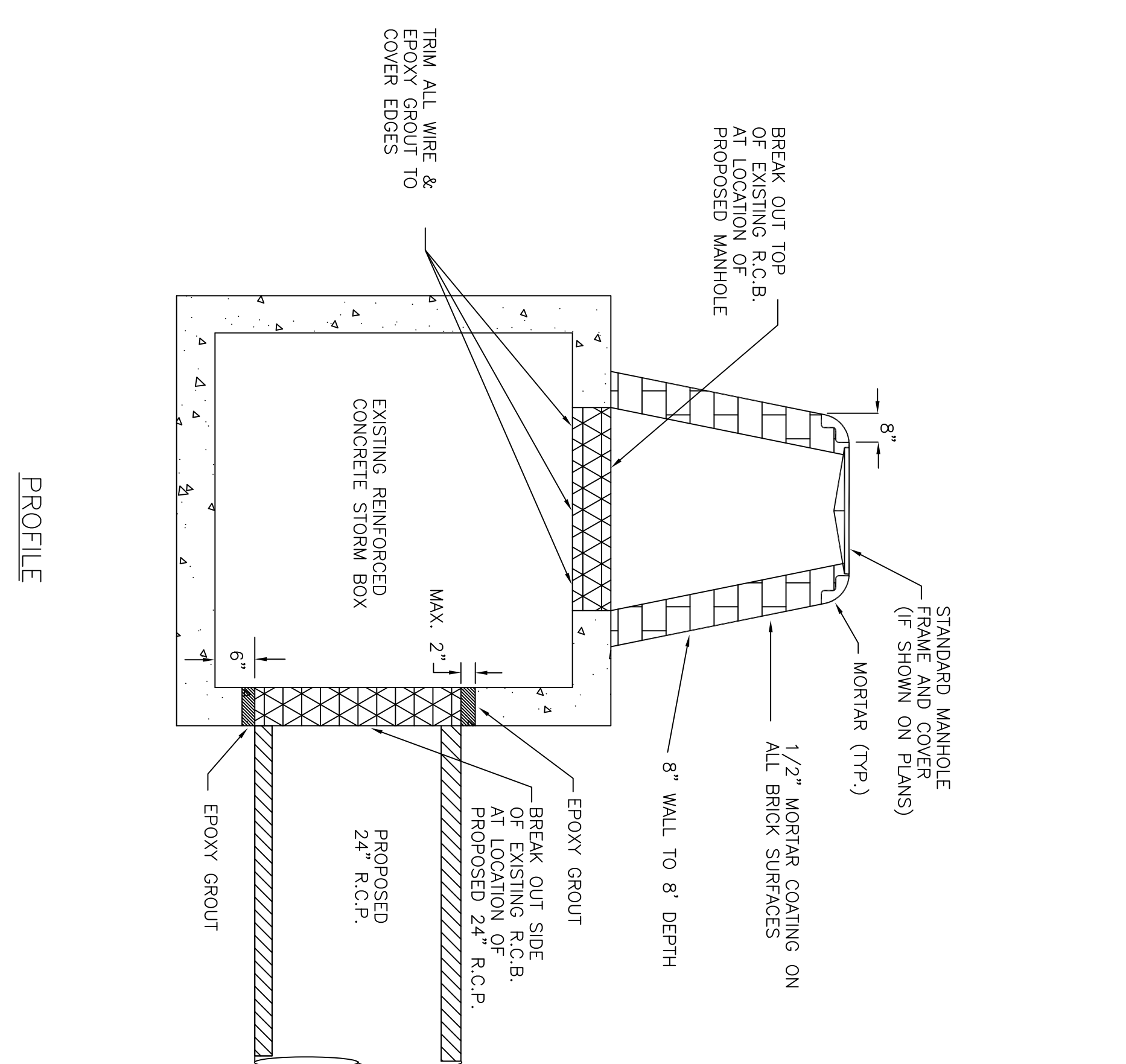
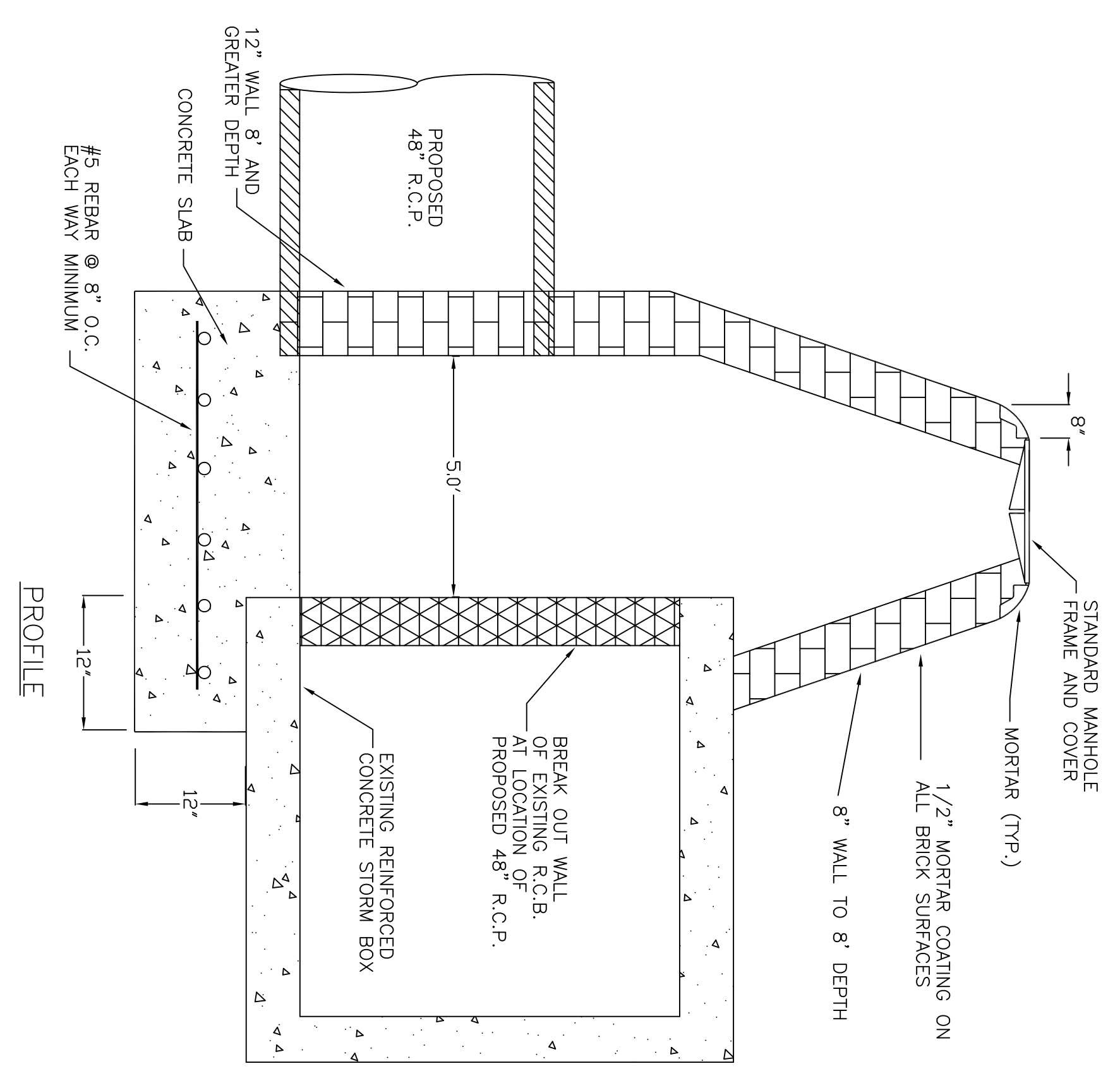
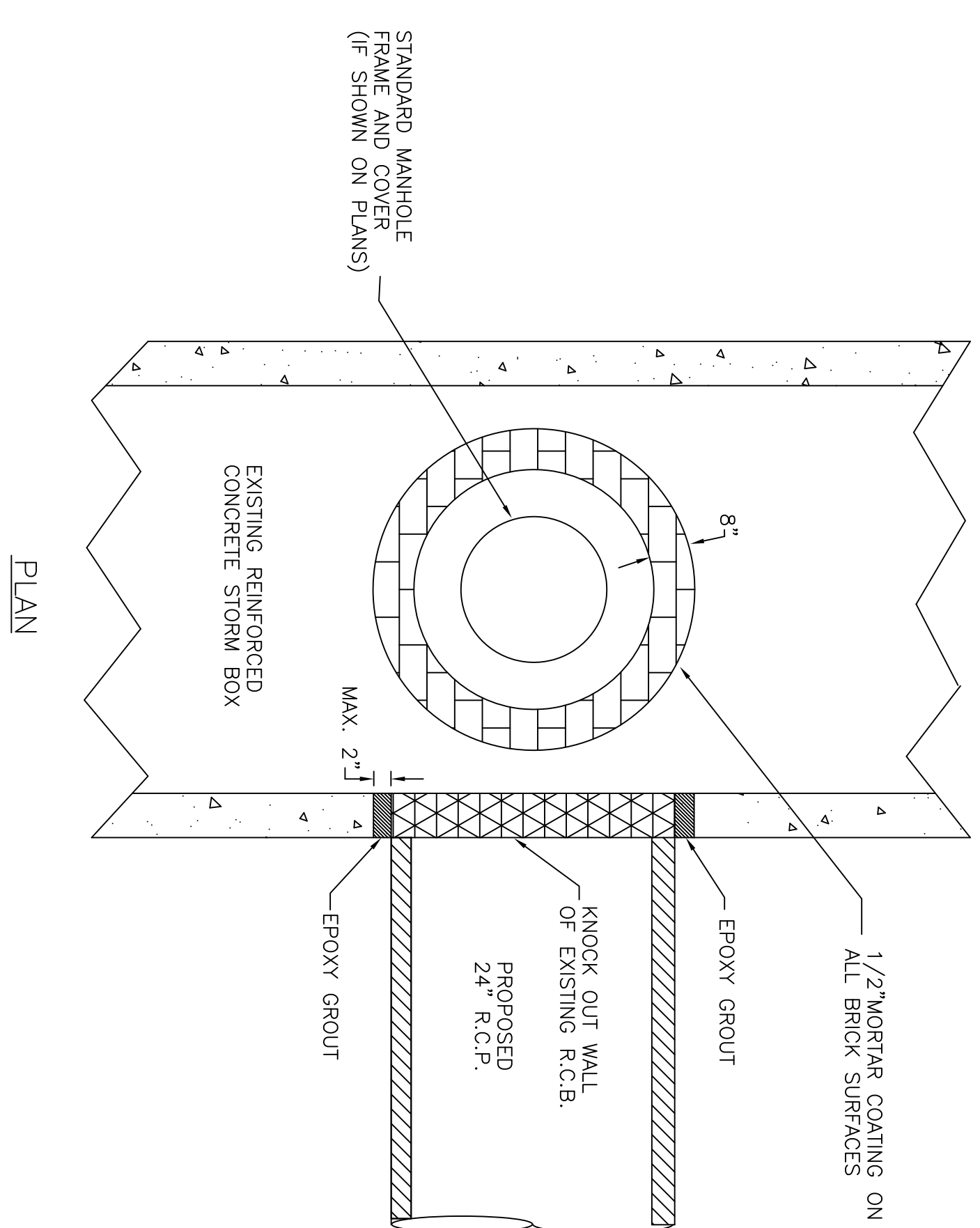
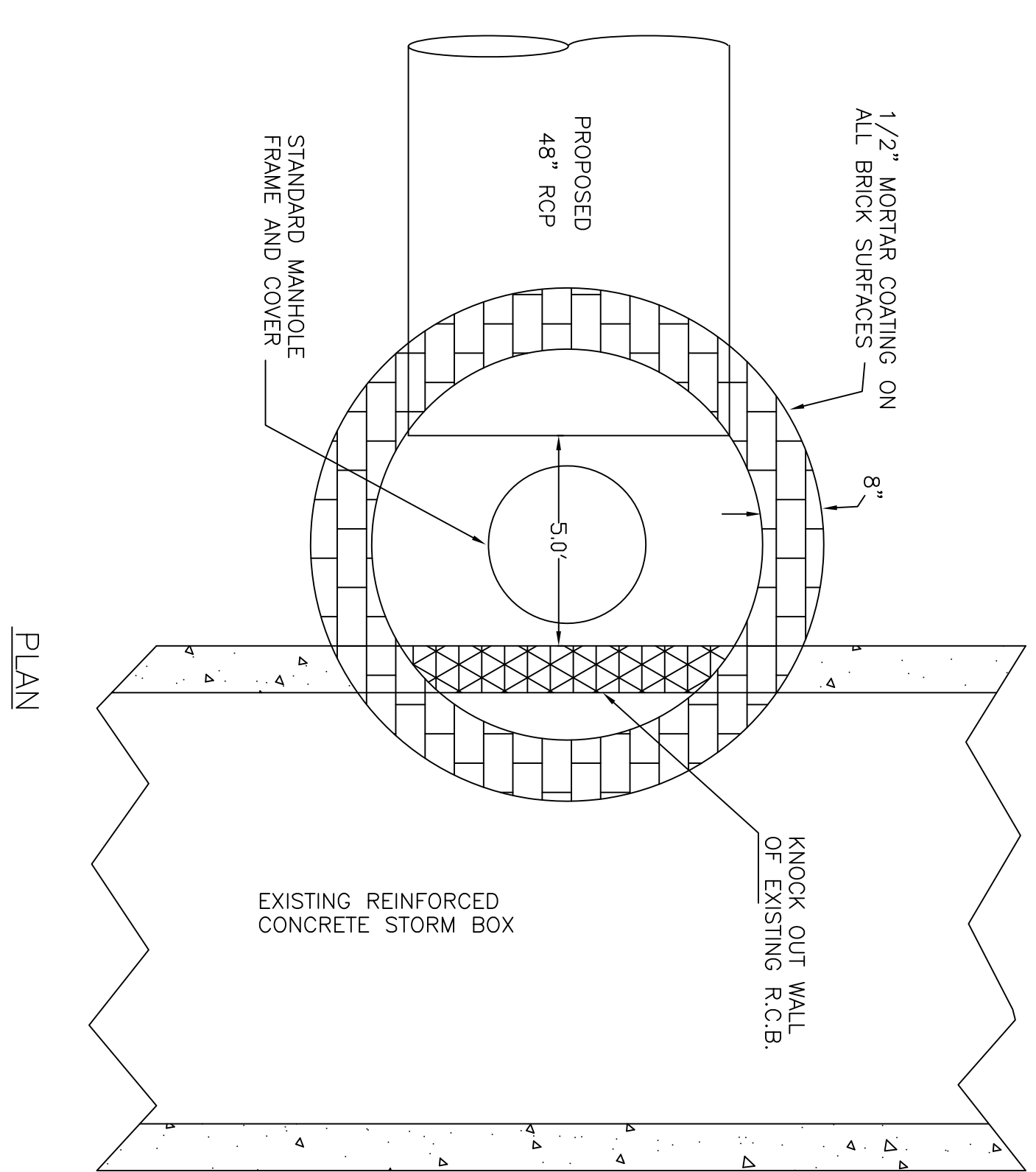


NOTE: WHEN MANHOLE HAS BEEN REPAIRED, REINFORCEMENT SHALL BE SHOWN ON TABLE 1.

TABLE 1
DATA FOR VARIOUS PIPE DIAMETERS

PIPE DIA (IN)	MIN DEPTH	REBAR (NO.)	REINFORCEMENT (NO.)
48"	8'-0"	#3 @ 12" E-W	2 - #5
54"	8'-0"	#3 @ 10" E-W	3 - #5
60"	10'-0"	#3 @ 7" E-W	3 - #7
66"	10'-0"	#3 @ 6" E-W	3 - #7
72"	13'-2"	#3 @ 6" E-W	3 - #7

MANHOLE TYPE 'C'
(NOT TO SCALE)



STORM MANHOLE
(NOT TO SCALE)

STORM MANHOLE
(NOT TO SCALE)

NO.	DATE	DESCRIPTION	BY
1			
2			
3			
4			
5			
6			
7			

DATE: 10/01/05
PROJECT NO.:
DRAWN BY: NOLAND
CHECKED BY:
SCALE: AS SHOWN
CAD FILE: STORM 1

CITY OF DEER PARK
STORM SEWER DETAIL #2