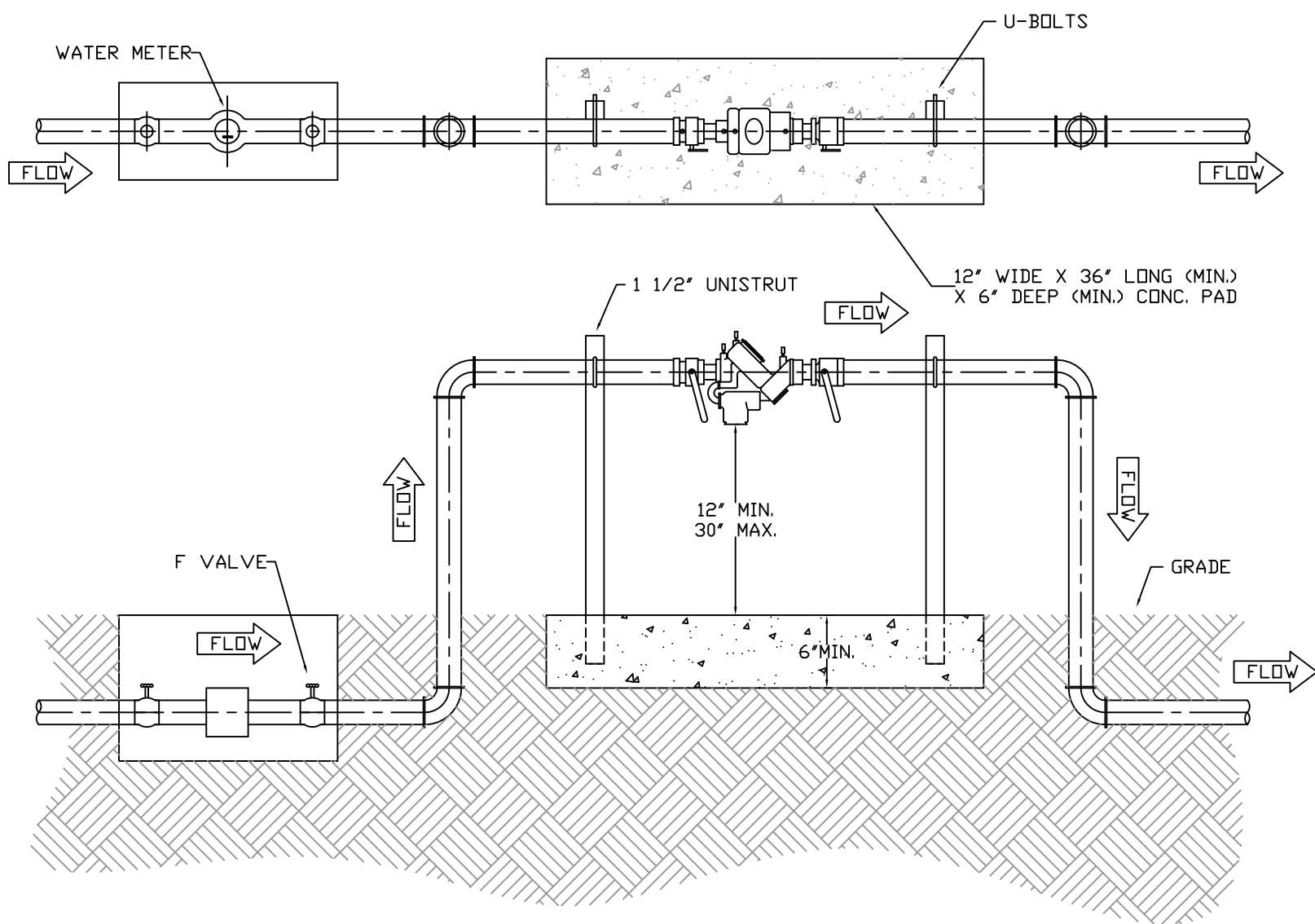
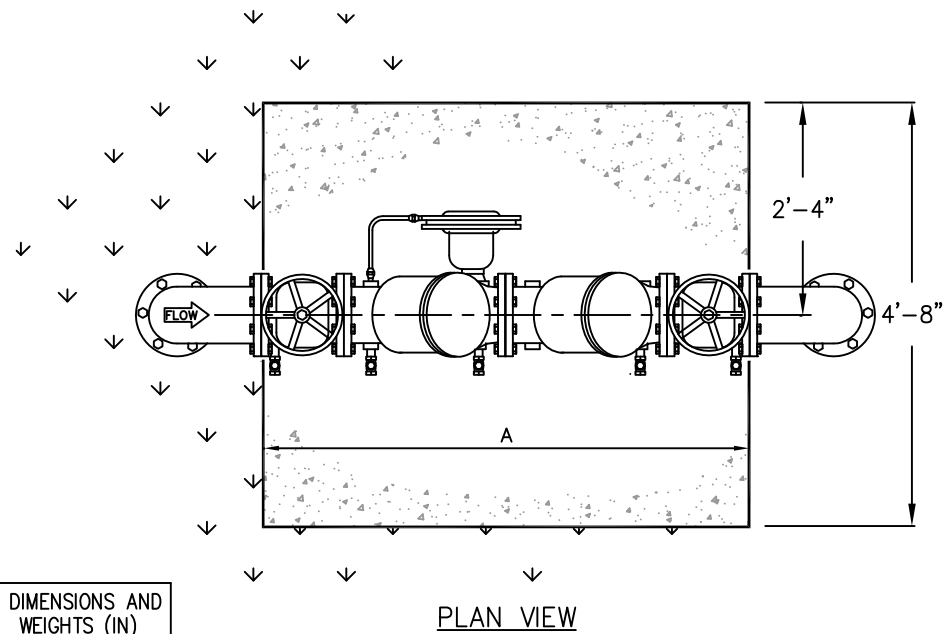


REDUCED PRESSURE PRINCIPLE BACKFLOW PREVENTER



NOTE: FOR 3/4" THRU 2",
AND 3" & ABOVE

REDUCED PRESSURE BACKFLOW PREVENTER ON PRECAST CONCRETE PAD



DIMENSIONS AND WEIGHTS (IN)	
SIZE	A
2i	41r
3	42r
7	55w
6	65i
8	78s
10	93p

Specifications

Concrete: Class 1 concrete with design strength of 4500 psi at 28 days.

Typical Applications

RP devices are used to protect against high hazard (toxic) fluids in water services to industrial plants, hospital facilities, morgues, mortuaries and chemical plants. They are also used in irrigation systems, boiler feed, water lines and other installations requiring maximum protection.

